

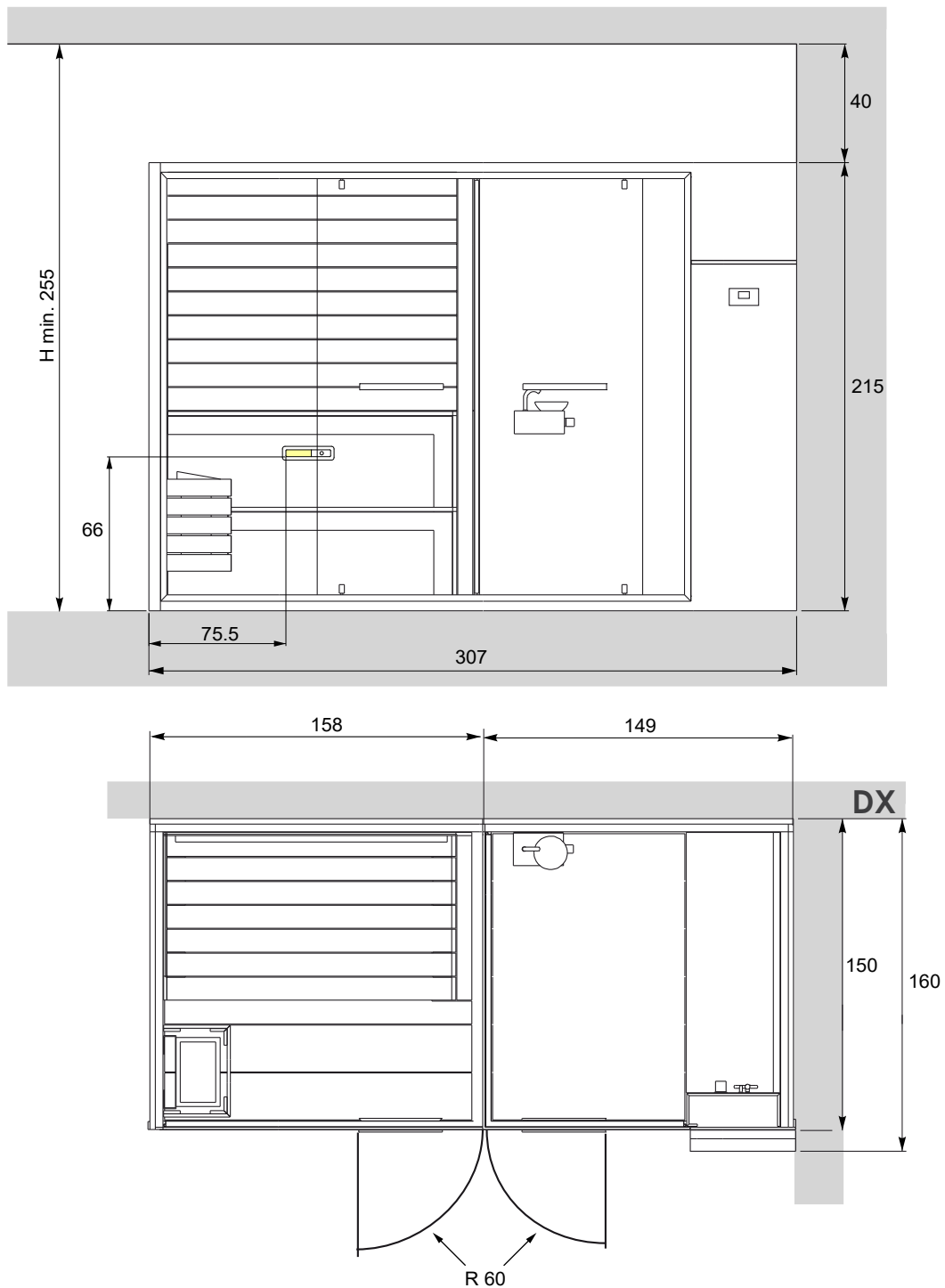
# ETHOS 310x150 H 215

SAUNA + TURKISH BATH RT VERSION

SAUNAVITA®  
calore naturale





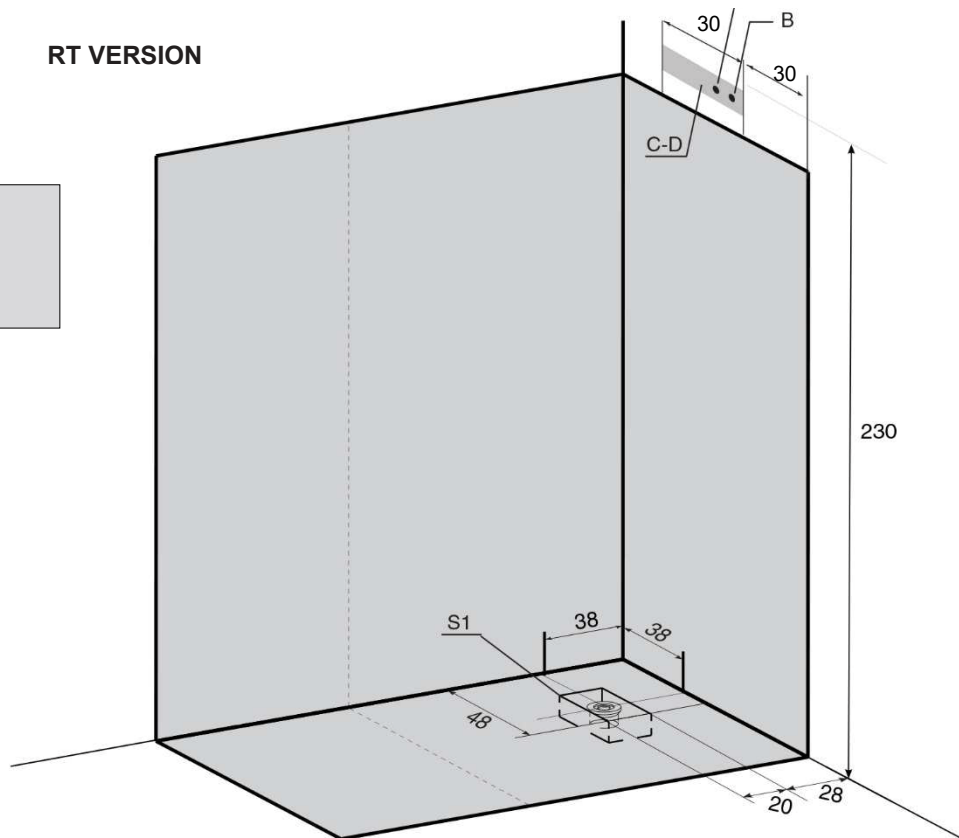
The overall dimension values are expressed in centimetres.  
The actual dimensions may vary by  $\pm 1$  cm.



The minimum height of the wall tiles without protrusions is equal to the height of the stall.  
On the walls there cannot be any greca or quarter round decorative patterns.

**RT VERSION**

	Operating pressure:
	- MIN 150 kPa (1,5 bar)
	- MAX 300 kPa (3,0 bar)
	Hot water temperature:
	- MAX 60°C (140°F)



**KEY**

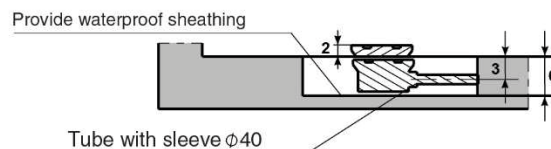
**A-B- Water wall connections.**

- A** - 1/2" F cold water wall connection (1,5-3,0 BAR)
- B** - 1/2" F hot water wall connection (1,5-3,0 BAR).

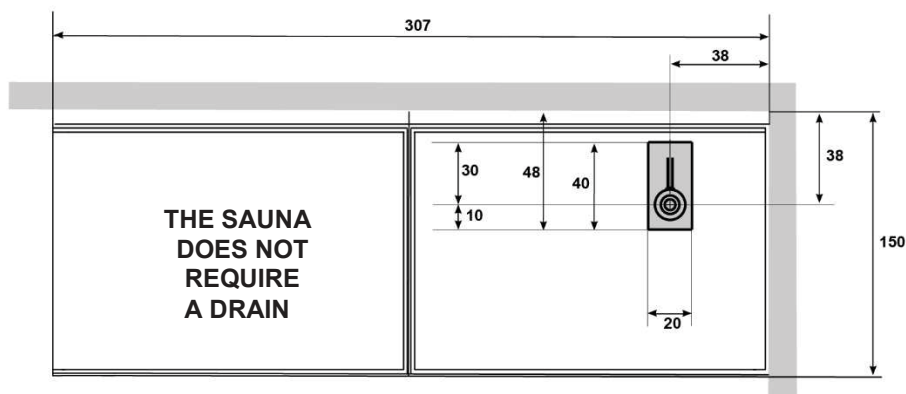
**C-D- Electrical tube outlet.**

- C** - Power cable outlet (SINGLE PHASE OR THREE PHASE).
- D** - Equipotential cable outlet.
- S1** - Turkish bath drain Ø 40mm.

If the water pressure is higher than indicated, install pressure reducers.  
Provide shut-off cocks out of the dimensions of the product for hot and cold water closing.



CARATTERISTICHE ELETTRICHE:	RESISTENZE	Volt	A	Kw	Hz	TEMPERATURA MASSIMA
HAMMAN	2 x 2000W	230	17	4	50	50 °C
		400	10	4	50	
CARATTERISTICHE ELETTRICHE:	RESISTENZE	Volt	A	Kw	Hz	TEMPERATURA MASSIMA
SAUNA	3 x 1500W	230	21	4.5	50	100 °C
		400	7	4.5	50	



**GRUPPO GEROMIN S.r.l.**

Via I° Maggio n°5 (zona Industriale)  
30029 San Stino di Livenza VE  
Tel. +39 0421 312249 / +39 0421 312250  
http: www.gruppogeromin.com - email: info@gruppogeromin.com